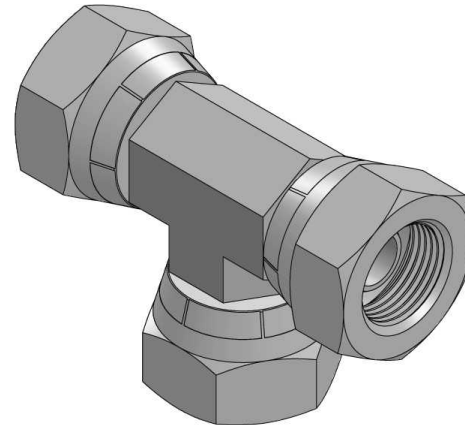
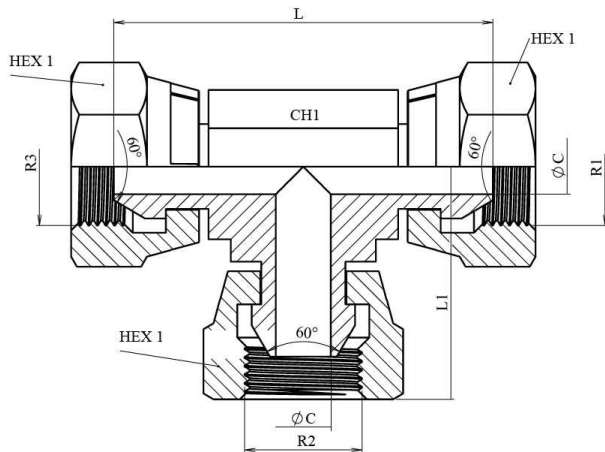


Tee BSP Swivel female (60°) forge

Carbon steel

1/1

Part nº	R1	R2	R3	L	L1	HEX 1	CH1	ØC
S122502	1/8" BSP	1/8" BSP	1/8" BSP	45	22,5	14	11	3
S122504	1/4" BSP	1/4" BSP	1/4" BSP	40	20	19	14	6
S122506	3/8" BSP	3/8" BSP	3/8" BSP	60	30	22	17	8
S122508	1/2" BSP	1/2" BSP	1/2" BSP	70	35	27	22	11
S122512	3/4" BSP	3/4" BSP	3/4" BSP	83	41,5	32	27	16,7
S122516	1" BSP	1" BSP	1" BSP	98	49	41	36	22
S122520	1" 1/4 BSP	1" 1/4 BSP	1" 1/4 BSP	108	54	50	46	26